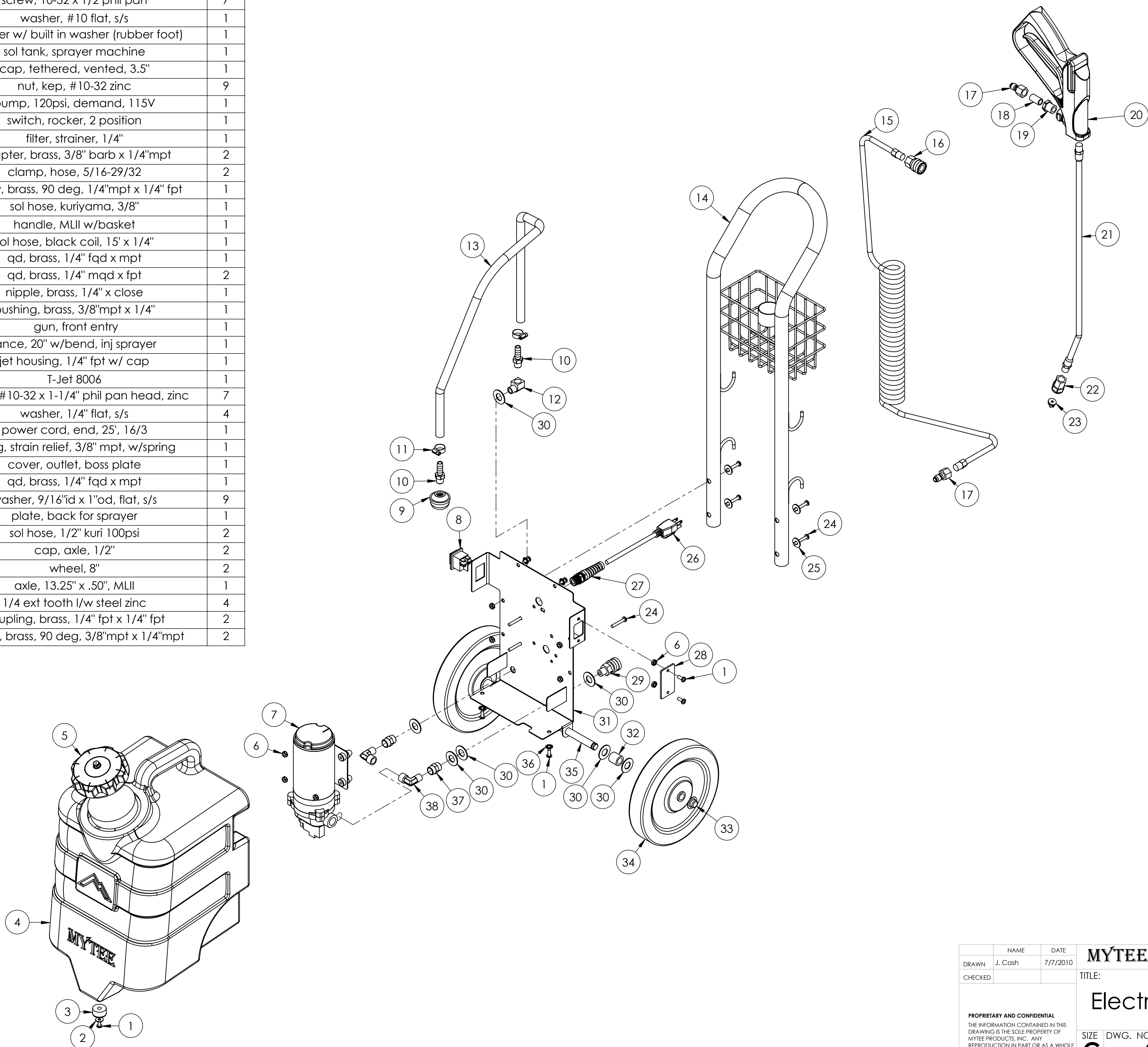


ITEM NO.	PART NO.	DESCRIPTION	QTY.
1	H230	screw, 10-32 x 1/2 phil pan	7
2	H289	washer, #10 flat, s/s	1
3	G087	bumper w/ built in washer (rubber foot)	1
4	P963	sol tank, sprayer machine	1
5	G033	cap, tethered, vented, 3.5"	1
6	H273	nut, kep, #10-32 zinc	9
7	C305	pump, 120psi, demand, 115V	1
8	E515	switch, rocker, 2 position	1
9	B119	filter, strainer, 1/4"	1
10	B241	adapter, brass, 3/8" barb x 1/4"mpt	2
11	H347	clamp, hose, 5/16-29/32	2
12	B103	elbow, brass, 90 deg, 1/4"mpt x 1/4" fpt	1
13	PH715	sol hose, kuriyama, 3/8"	1
14	H688	handle, MLII w/basket	1
15	AH107	sol hose, black coil, 15' x 1/4"	1
16	B259A	qd, brass, 1/4" fqd x mpt	1
17	B260	qd, brass, 1/4" mqd x fpt	2
18	B106	nipple, brass, 1/4" x close	1
19	B105	bushing, brass, 3/8"mpt x 1/4"	1
20	H540B	gun, front entry	1
21	H171	lance, 20" w/bend, inj sprayer	1
22	B302	jet housing, 1/4" fpt w/ cap	1
23	B258A	T-Jet 8006	1
24	H222	screw, #10-32 x 1-1/4" phil pan head, zinc	7
25	H210	washer, 1/4" flat, s/s	4
26	E617	power cord, end, 25', 16/3	1
27	H856	fitting, strain relief, 3/8" mpt, w/spring	1
28	P522	cover, outlet, boss plate	1
29	B259	qd, brass, 1/4" fqd x mpt	1
30	H212	washer, 9/16" id x 1" od, flat, s/s	9
31	H967	plate, back for sprayer	1
32	PH615-1	sol hose, 1/2" kuri 100psi	2
33	H219	cap, axle, 1/2"	2
34	H239	wheel, 8"	2
35	H228	axle, 13.25" x .50", MLII	1
36	H307	1/4 ext tooth l/w steel zinc	4
37	B142A	coupling, brass, 1/4" fpt x 1/4" fpt	2
38	B652	elbow, brass, 90 deg, 3/8"mpt x 1/4"mpt	2



	NAME	DATE	<b>MYTEE PRODUCTS, INC.</b> 858-679-1191	
DRAWN	J. Cash	7/7/2010	TITLE:	
CHECKED			<b>Electric Sprayer</b>	
<small>PROPRIETARY AND CONFIDENTIAL THE INFORMATION CONTAINED IN THIS DRAWING IS THE SOLE PROPERTY OF MYTEE PRODUCTS, INC. ANY REPRODUCTION IN PART OR AS A WHOLE WITHOUT THE WRITTEN PERMISSION OF MYTEE PRODUCTS, INC. IS PROHIBITED.</small>			SIZE	REV
			<b>C</b>	<b>OD</b>
			DWG. NO.	
			<b>6001</b>	
SCALE: 2:10			DO NOT SCALE DRAWING	SHEET 1 OF 1